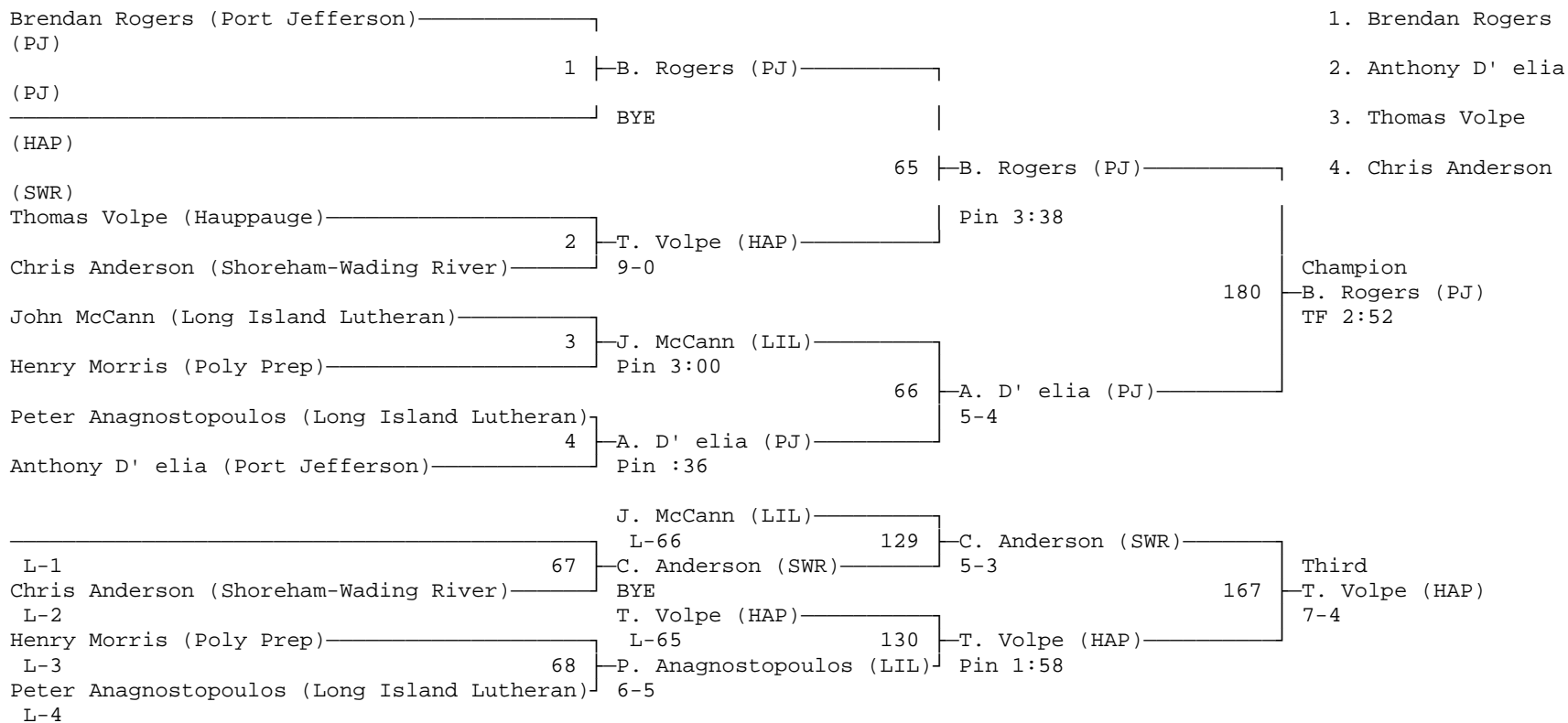


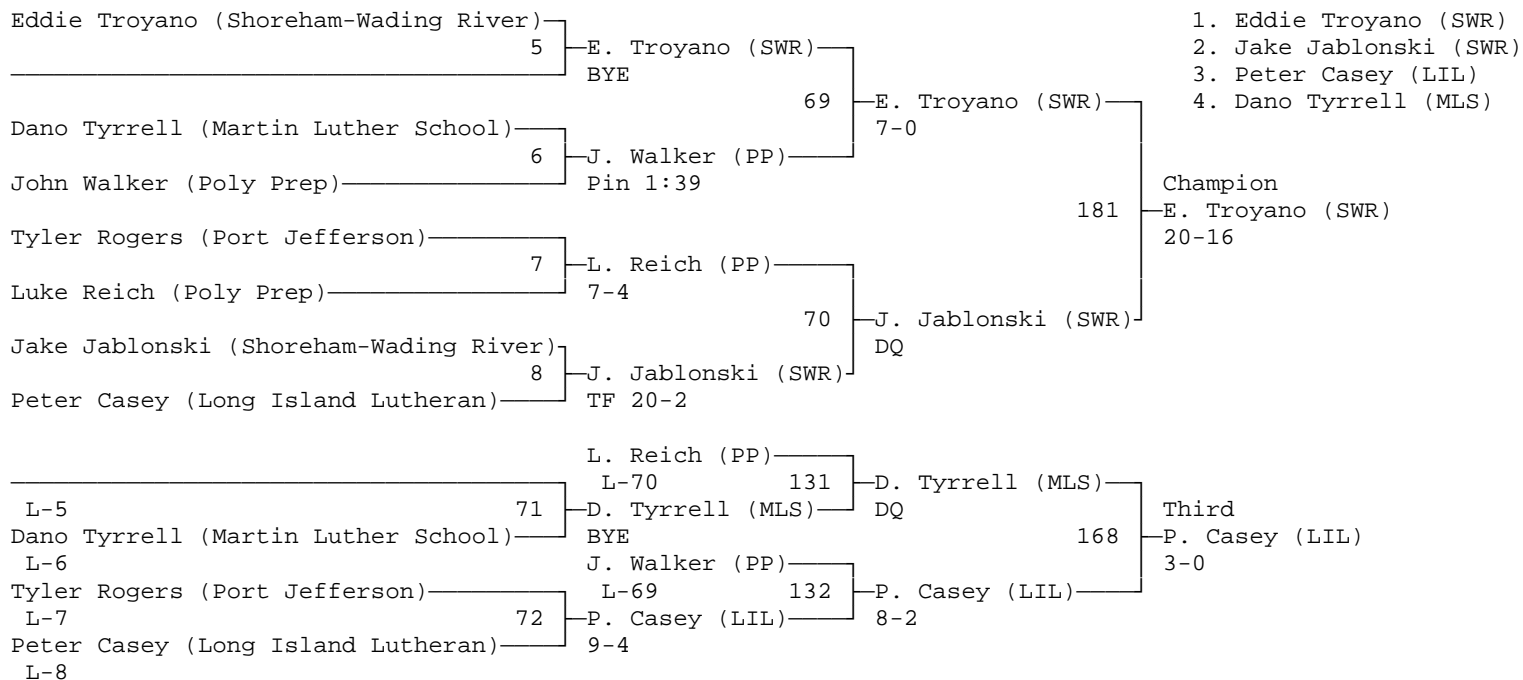
2017 David Sorensen Memorial Invitational at LI Lutheran

99



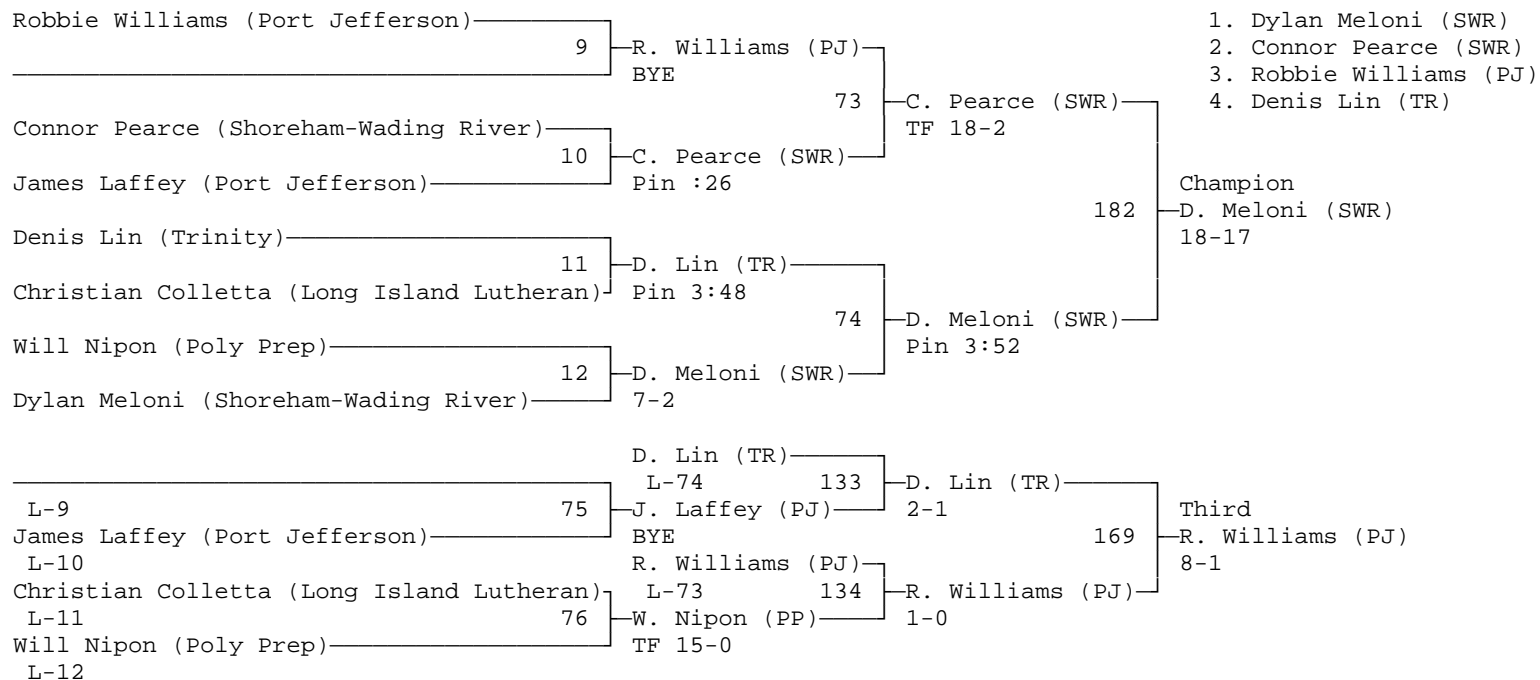
2017 David Sorensen Memorial Invitational at LI Lutheran

106



2017 David Sorensen Memorial Invitational at LI Lutheran

113



2017 David Sorensen Memorial Invitational at LI Lutheran

2017 David Sorensen Memorial Invitational at LI Lutheran

120

Connor McCann (Long Island Lutheran) —
 Cummings (SWR) 13 — C. McCann (LIL)
 (LIL) ————— } BYE
 (LIL)

Brady Cummings (Shoreham-Wading River) —
 Mark Imbert (Long Island Lutheran) — 14 — B. Cummings (SWR)
 Pin :26

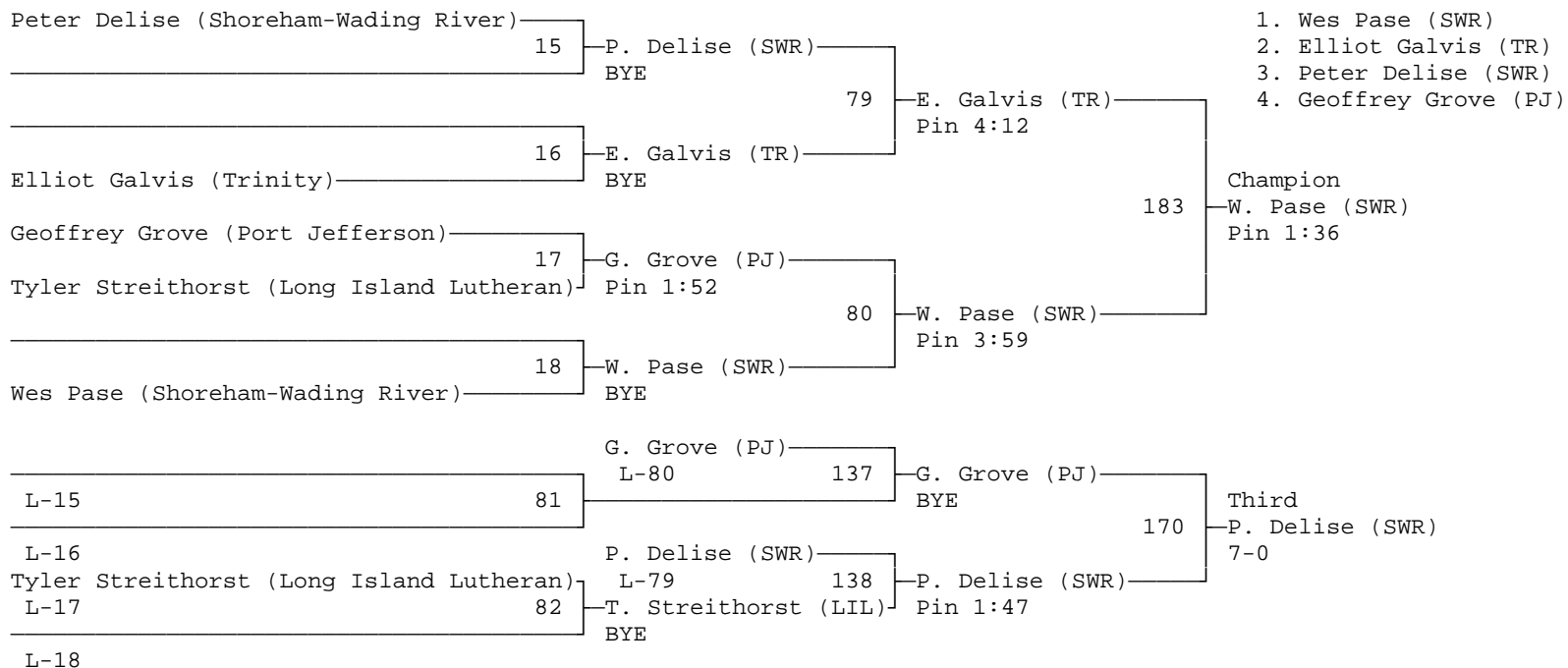
C. McCann (LIL) —
 A-77 135 — B. Cummings (SWR)
 B. Cummings (SWR) 15-2
 B-78
 M. Imbert (LIL) —
 B-77 136 — M. Imbert (LIL)
 ————— } BYE
 A-78

C. McCann (LIL) —
 A-13 77 — C. McCann (LIL)
 M. Imbert (LIL) — Pin :45
 B-14
 B-13 78 — B. Cummings (SWR)
 B. Cummings (SWR) — BYE
 A-14

1. Brady
2. Connor McCann
3. Mark Imbert

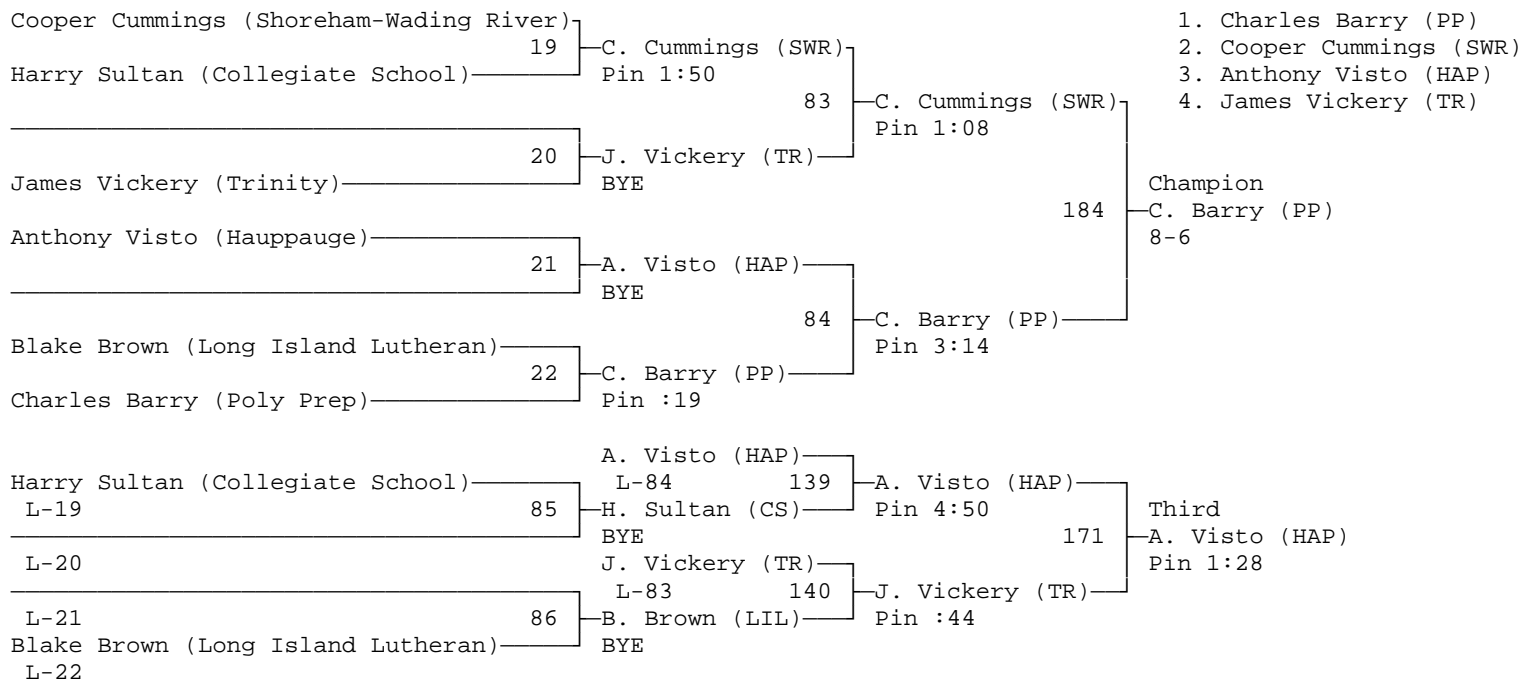
2017 David Sorensen Memorial Invitational at LI Lutheran

126



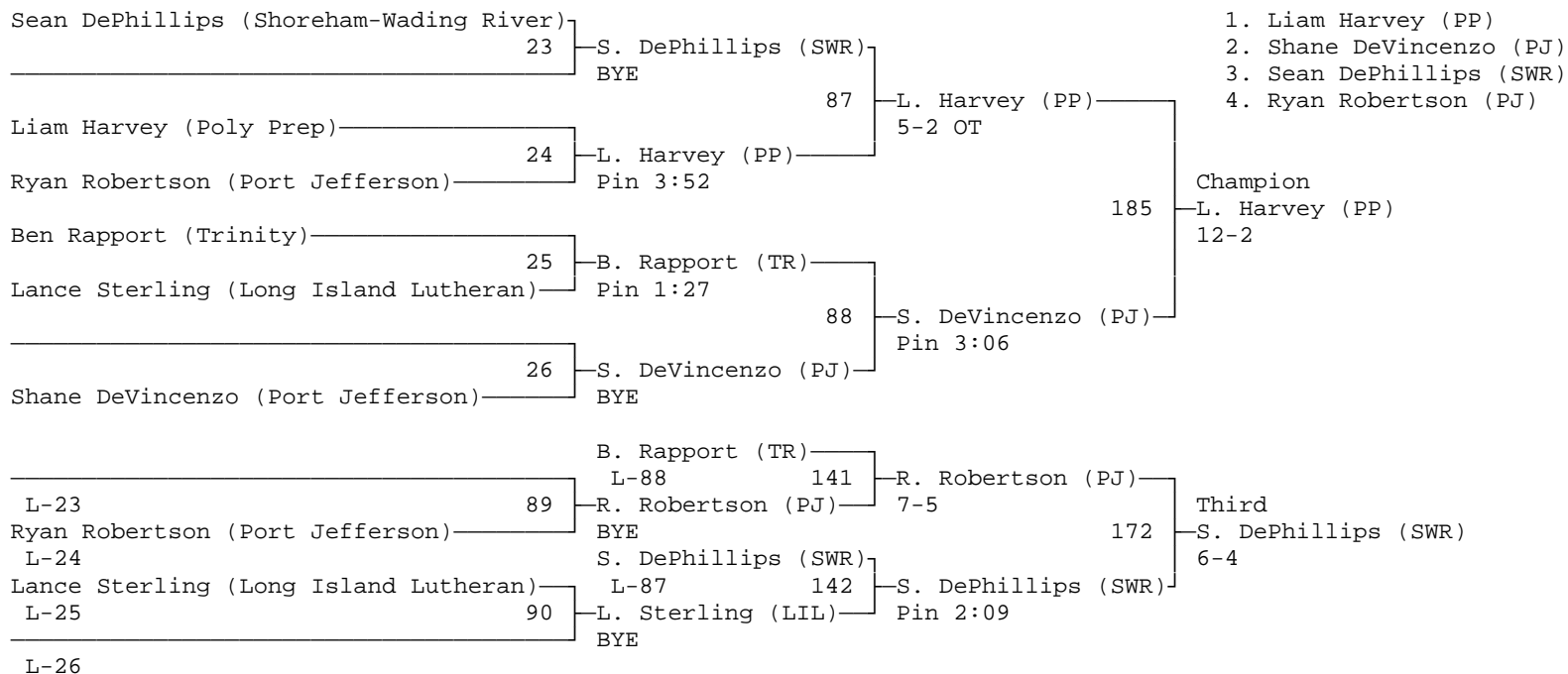
2017 David Sorensen Memorial Invitational at LI Lutheran

132



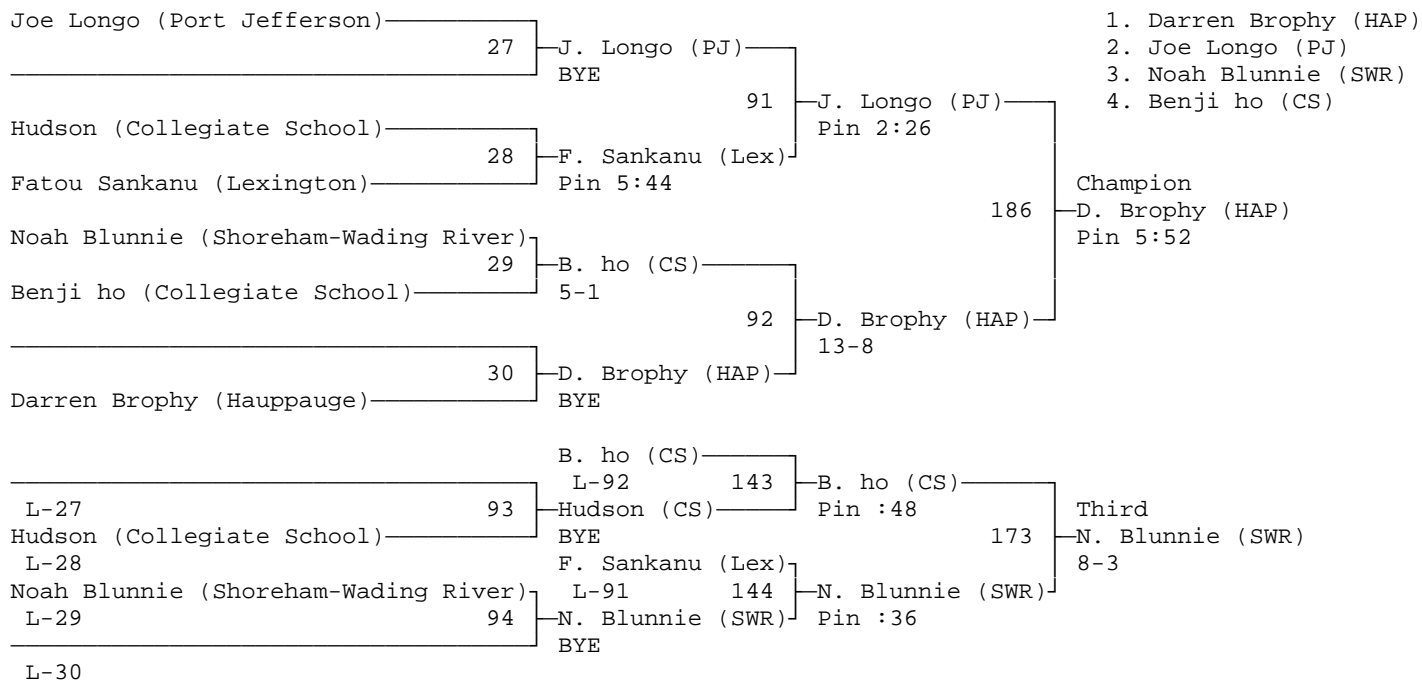
2017 David Sorensen Memorial Invitational at LI Lutheran

138



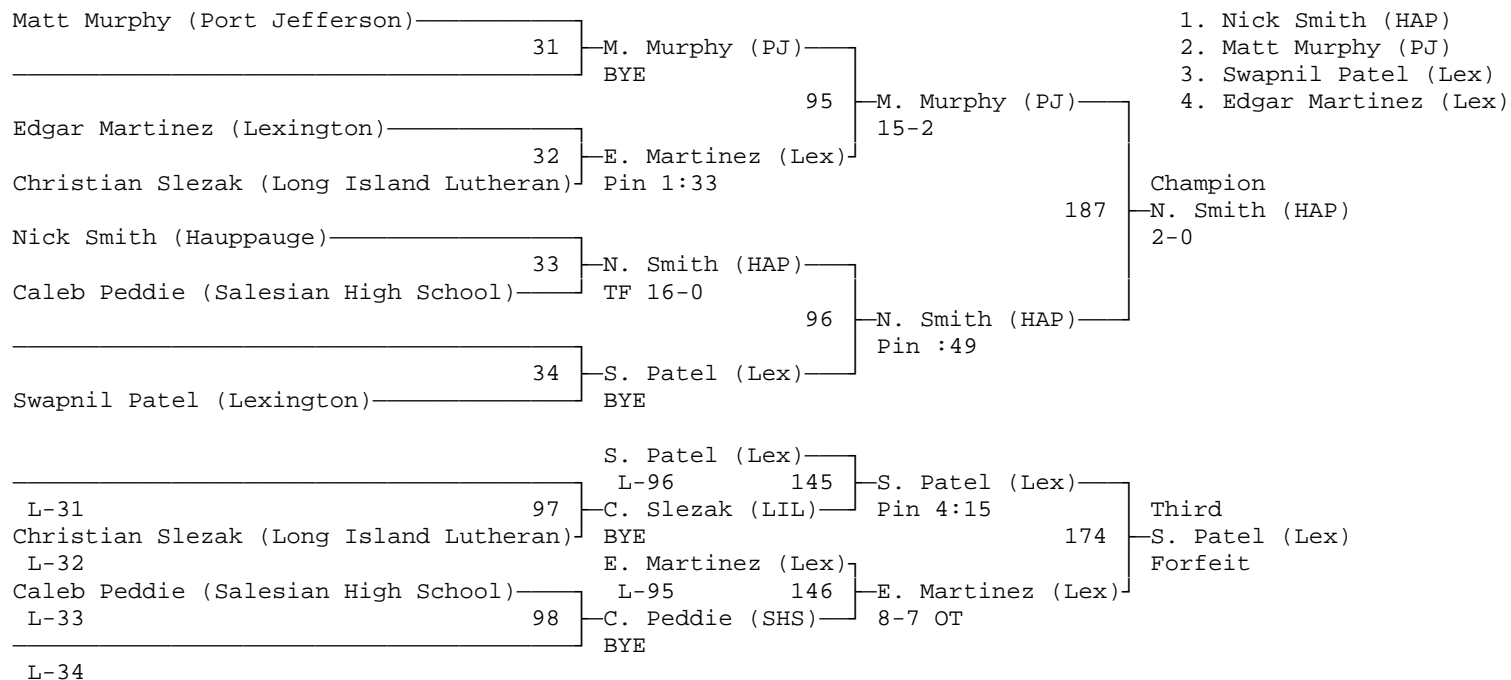
2017 David Sorensen Memorial Invitational at LI Lutheran

145



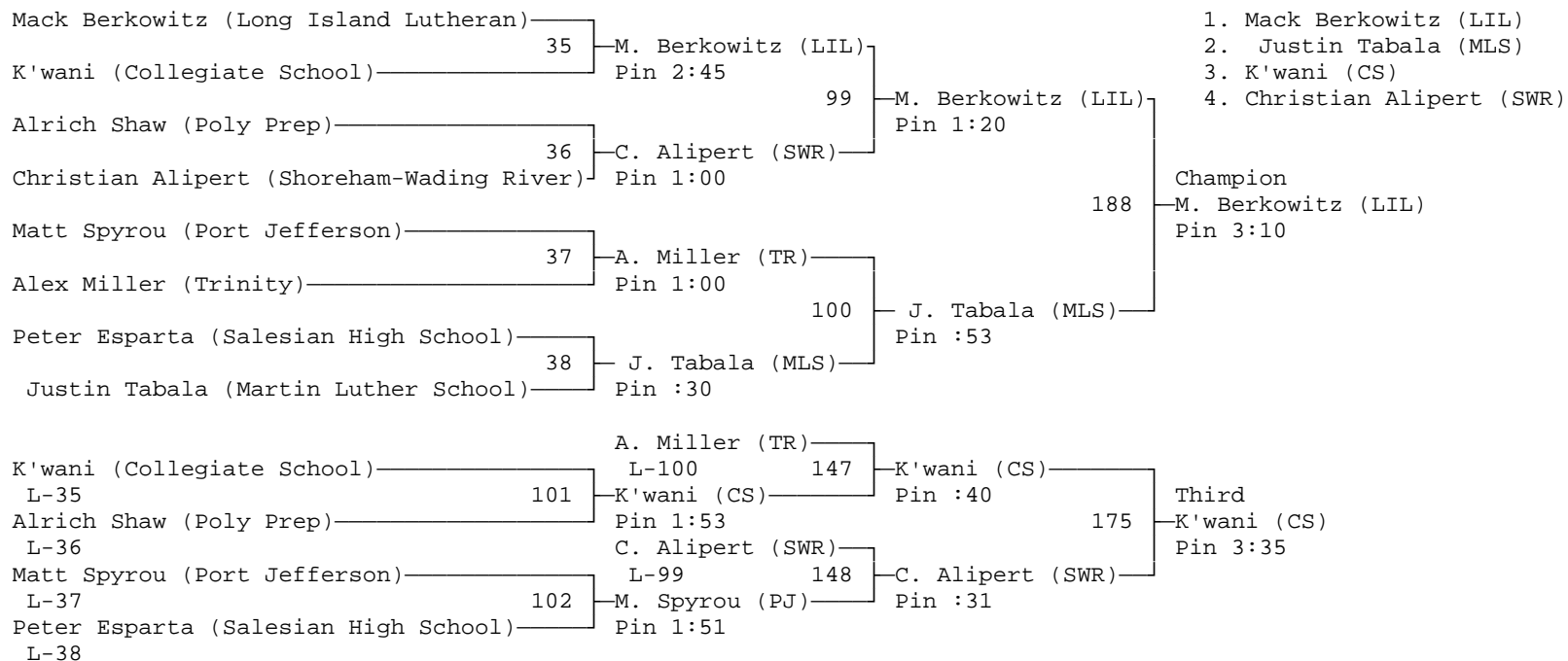
2017 David Sorensen Memorial Invitational at LI Lutheran

152



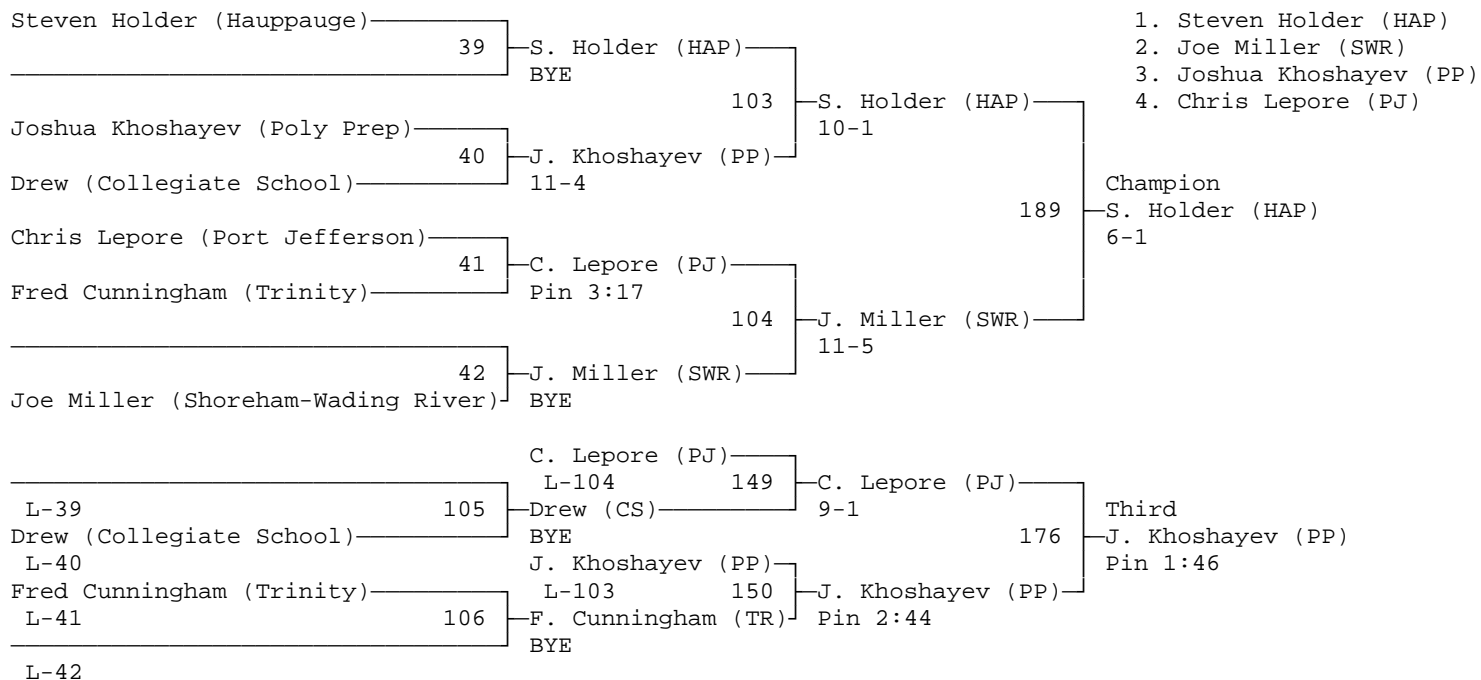
2017 David Sorensen Memorial Invitational at LI Lutheran

160



2017 David Sorensen Memorial Invitational at LI Lutheran

170



2017 David Sorensen Memorial Invitational at LI Lutheran

182

Ryan Condon (Shoreham-Wading River) }
 43 } R. Condon (SWR)
 (Lex)
 Josh (Collegiate School) } Pin 1:46
 (MLS)

Jean Carlos Diaz (Lexington) }
 44 } J. C. Diaz (Lex)
 David Chanax (Martin Luther School) } Pin 2:54

R. Condon (SWR) }
 A-107 151 } R. Condon (SWR)
 J. C. Diaz (Lex) } TF 16-0 2:45
 B-108
 . Chanax (MLS) }
 B-107 152 } . Chanax (MLS)
 Josh (CS) } Pin 4:09
 A-108

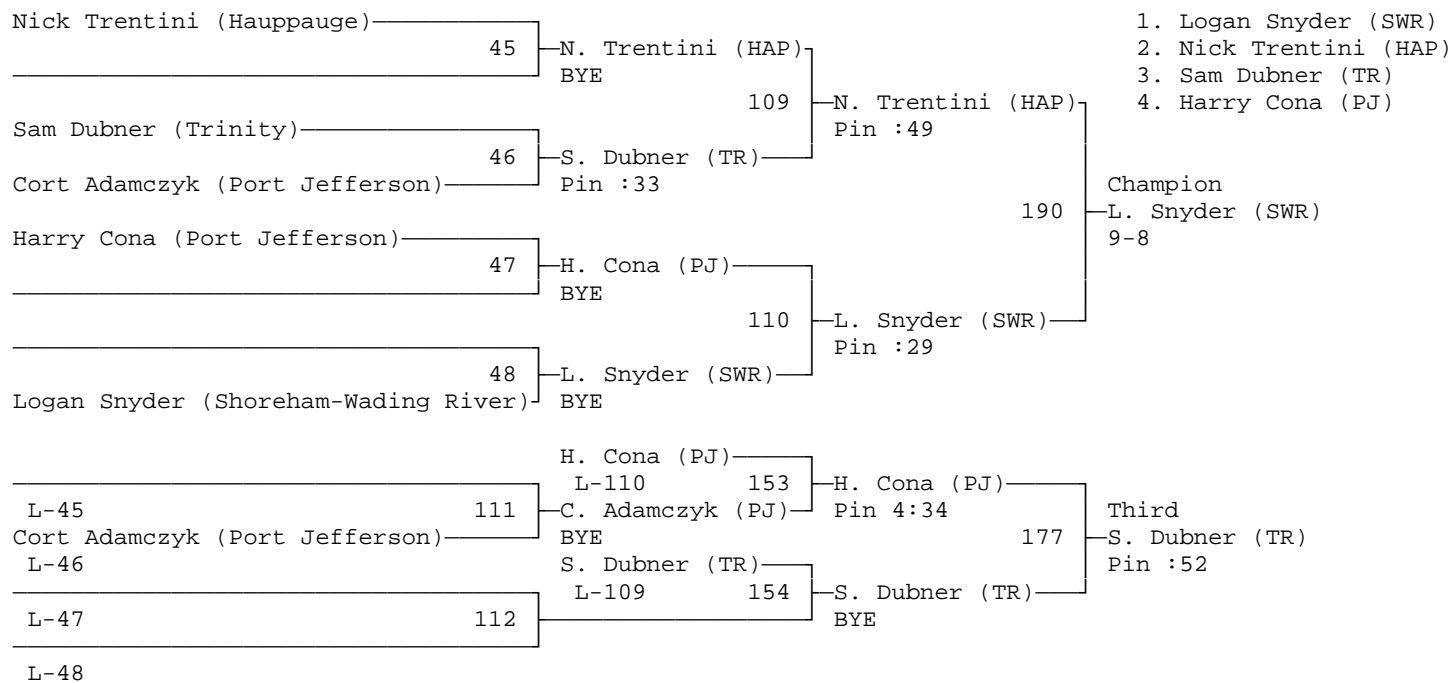
R. Condon (SWR) }
 A-43 107 } R. Condon (SWR)
 . Chanax (MLS) } Pin :48

B-44
 Josh (CS) }
 B-43 108 } J. C. Diaz (Lex)
 J. C. Diaz (Lex) } Pin :44
 A-44

1. Ryan Condon (SWR)
2. Jean Carlos Diaz
3. David Chanax
4. Josh (CS)

2017 David Sorensen Memorial Invitational at LI Lutheran

195



2017 David Sorensen Memorial Invitational at LI Lutheran

220

Nick Serdoc (Shoreham-Wading River) }
Cristian Galarza (HAP)

49 } N. Serdoc (SWR)

Serdoc (SWR)

Jack Neidenberger (Port Jefferson) } Pin :39

Neidenberger (PJ)

Scott (SWR)

Cristian Galarza (Hauppauge) }
50 } C. Galarza (HAP)

Alex Scott (Shoreham-Wading River) } Pin :34

N. Serdoc (SWR) }
A-113 } 155 } C. Galarza (HAP)

C. Galarza (HAP) } Pin 1:45

B-114

A. Scott (SWR) }
B-113 } 156 } J. Neidenberger (PJ)

J. Neidenberger (PJ) } Pin 1:18

A-114

N. Serdoc (SWR) }
A-49

113 } N. Serdoc (SWR)

A. Scott (SWR) } Pin :24

B-50

J. Neidenberger (PJ) }
B-49 } 114 } C. Galarza (HAP)

C. Galarza (HAP) } Pin 1:16

A-50

1.

2. Nick

3. Jack

4. Alex

285

This bracket is empty